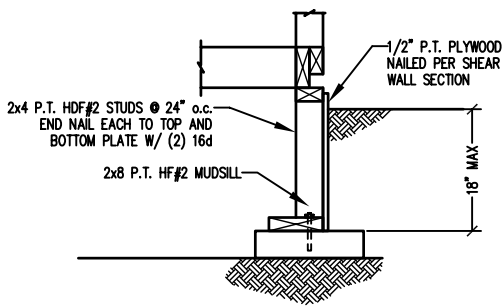


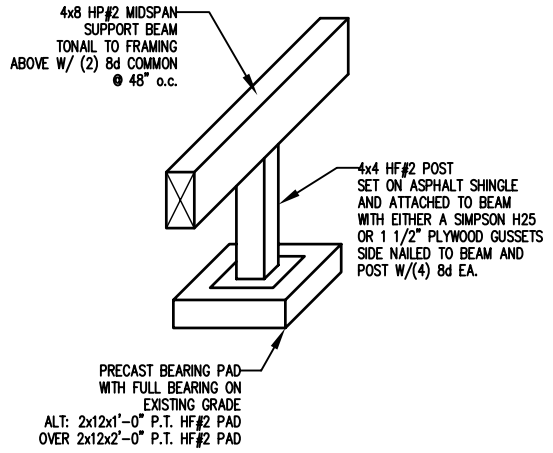
FOUNDATION SCHEDULE & DETAIL #

- ② PERIMETER POST @ 6'-0" o.c. (MAX.)
- ③ MIDSPAN SUPPORT @ 7'-0" o.c. (MAX.)
- ④ TIE-DOWN ANCHORS WITHIN 5'-0" OF LOCATION SHOWN
- ⑤ MARRIAGE LINE SUPPORTS @ 8'-0" (MAX.)
- ⑥ PERIMETER SHEAR PANEL
- ⑦ INTERIOR ROOF POST SUPPORT
- ⑧ EXTERIOR ROOF POST SUPPORT

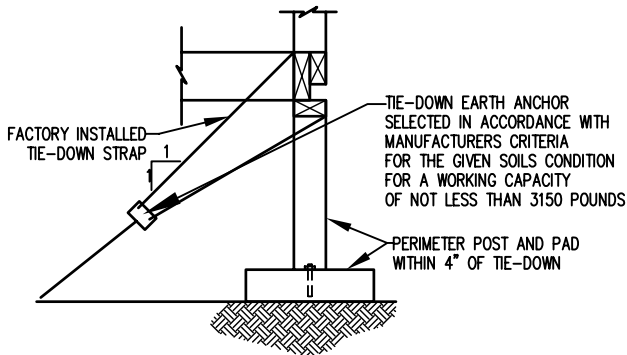
| | | | |
|---|--|-----------------------|---|
| REVISION : BY: 01/27/2009-DB SHEET : 1 OF 2 D-1 \0909.01.1 | EQUIPMENT SUPPLY, LLC STANDARD DETAIL | | |
| | STANDARD SHEARWALL FOUNDATION | | |
| DWG DATE: 01/13/2009 | DWG NO. DETAIL-6 | SCALE: NONE | These drawings, or any portion thereof, shall not be used on any Project or extensions of this Project except by written agreement from EQUIPMENT SUPPLY, LLC |



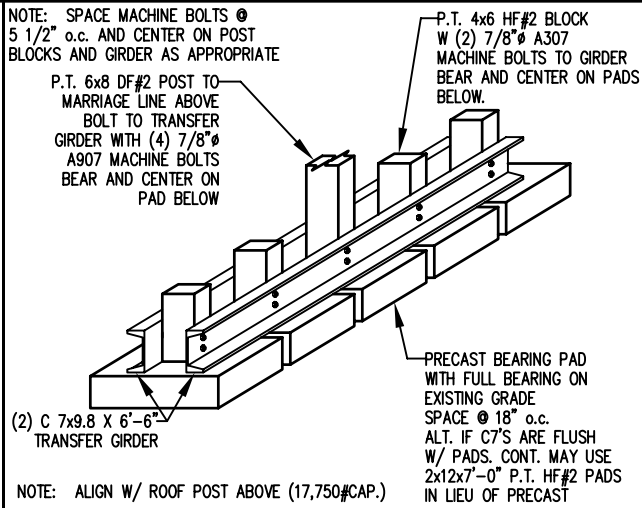
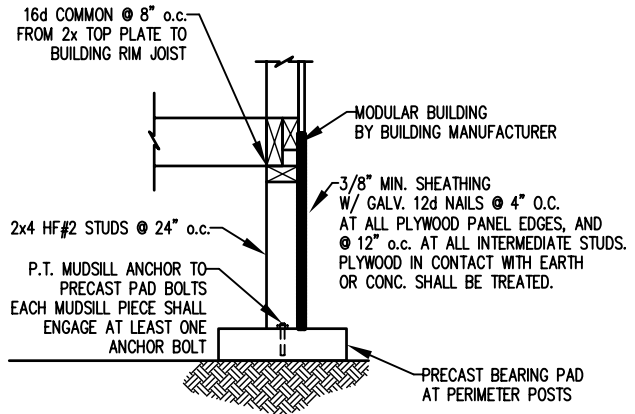
9D FROST RESISTANT SKIRTING DETAIL



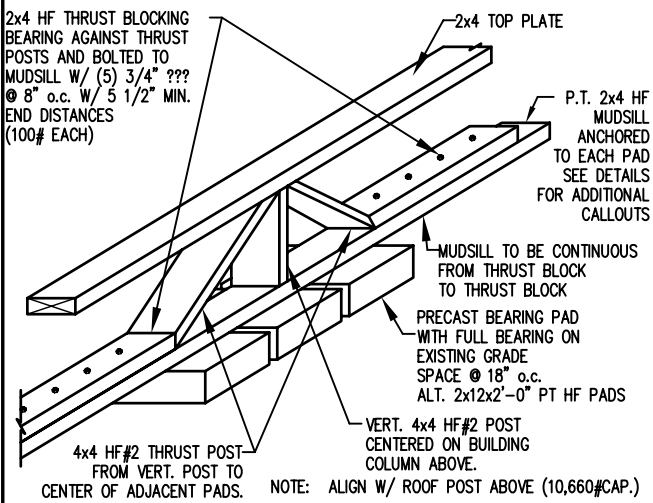
6 SHEAR PANEL SECTION



4 TIE-DOWNS



7 CENTER TRANSFER GIRDER



8 END TRANSFER GIRDER

REVISION : BY:
01/27/2009-DB

SHEET : 1 OF 2

D-2

\0909.01.1

EQUIPMENT SUPPLY, LLC
STANDARD DETAIL

STANDARD SHEARWALL DETAILS

| | | | |
|--------------------------------|----------------------|-----------------------|--|
| DWG DATE: 01/13/2009 | DWG NO. D2 | SCALE: NONE | |
|--------------------------------|----------------------|-----------------------|--|

These drawings, or any portion thereof, shall not be used on any Project or extensions of this Project except by written agreement from EQUIPMENT SUPPLY, LLC